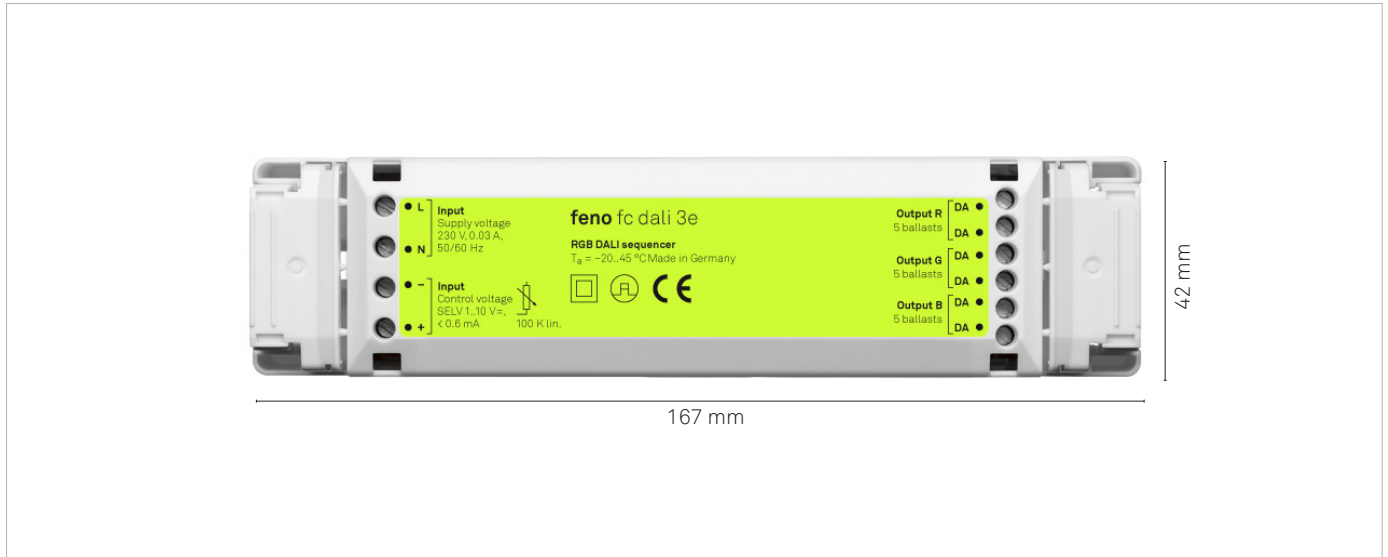


## fc dali 3e

### RGB DALI sequencer

Colored light controller for DALI control gear for additive color mixing with red, green and blue fluorescent lamps.



#### Properties

The result is an automatic color chase from blue to turquoise, green, yellow, red and magenta with soft fading in an endless loop.

The speed of the preprogrammed chase changes as a function of the analog 1..10 V input voltage. A linear 100 kW potentiometer can also be used. In the lowest potentiometer setting or at a control voltage of less than 1.2 V all the connected ECGs are switched off. A separate mains switch is not needed. If the control voltage is increased the chase at first runs at its highest speed and slows down as the voltage increases.

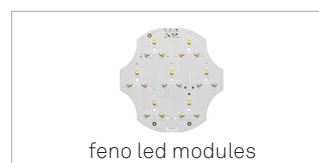
#### Ordering data

Artikelbezeichnung	fc dali 3e
Artikelnummer	00000009

#### Available versions



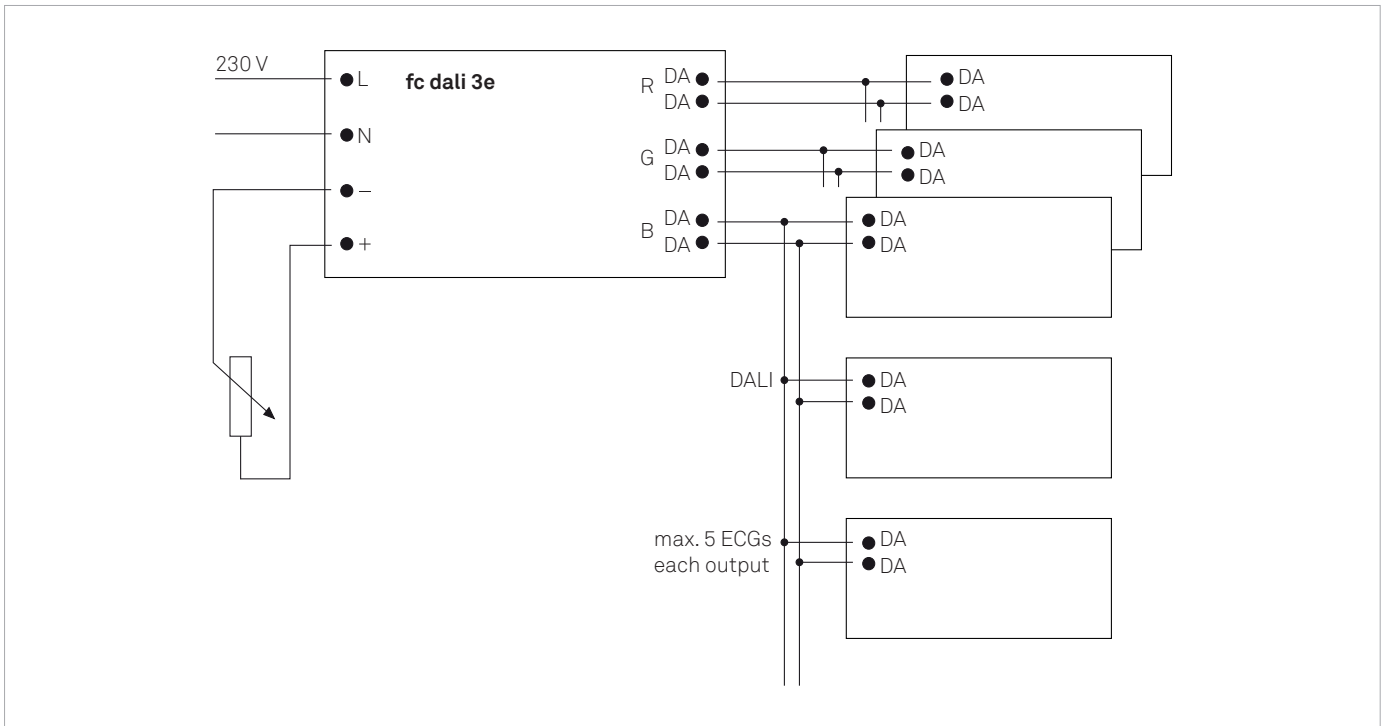
#### Combinable with products of the following categories



## fc dali 3e

### RGB DALI sequencer

#### Wiring Diagram



#### Technical details

<b>Supply voltage</b>	230 V, 50/60 Hz
<b>Current draw</b>	0,03 A max.
<b>Light programs</b>	1 (preprogrammed)
<b>Inputs</b>	1 x 1..10 V
<b>Number of outputs</b>	3
<b>Number of control channels</b>	3
<b>Output signal</b>	DALI (DAP)
<b>Output load</b>	5 electronic ballasts per output
<b>Short-circuit-proof outputs</b>	yes
<b>Temperature range</b>	-20..45 °C
<b>Dimensions (L/W/H)</b>	167 x 42 x 31 mm
<b>Weight</b>	170 g

#### Additional Information

At a control voltage of more than 9.8 V the current color is fixed and will not change again. Up to four ECGs can be connected to each DALI output. The three separate DALI cables are conventionally wired individually to the ballasts. There is therefore no need for DALI addressing, and ballasts can be added or replaced at any time.

feno control software can be downloaded at [www.feno.com](http://www.feno.com).